

MDX-40 Price List



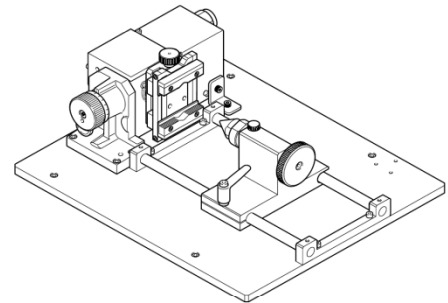
Roland Authorized Accessories

Effective 02/01/09

Milling Machine

MDX-40-K	(CNC milling machine w/ ZCL-40 Rotary 4 th Axis)	\$11,595
MDX-40	(CNC milling machine 12" x 12" x 4.1", 305mm x 305mm x 105mm)	\$7,345
ZCL-40	(Rotary 4th Axis, 5.3" x 3.3" Dia., 135mm x 85mm Dia.)	\$4,495

Machine can be ordered with or without a rotary axis unit.



Replacement Collets for MDX-40 Milling Machine

ZC-23-3175	(Bottom Load 1/8" Collet, Inc. w/ MDX-40)	\$34.99
ZC-23-635	(Bottom Load 1/4" Collet, Inc. w/ MDX-40)	\$34.99
ZC-23-6	(Bottom Load 6mm Collet)	\$38.99
ZC-23-3	(Bottom Load 3mm Collet)	\$38.99
ZC-E436	(Engraving Collet)	\$29.99

Collets hold tools firmly in machines spindle. MDX-40 comes with 1/8" and 1/4" collet.



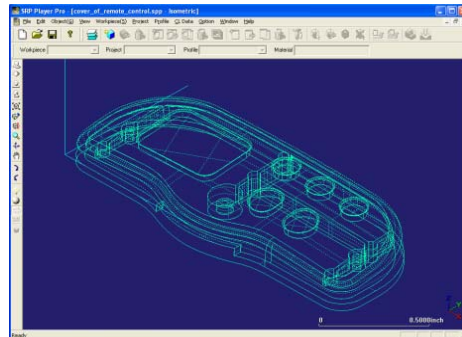
All pricing subject to change without notice.

Software

SRP-Player-Pro (Advanced CAM Software)

\$4,500

Advanced CAM software offers ease of use, surface data programming for smooth surface finish, polygon smoothing, advanced editing capabilities, low tool load capability, advanced support creation, ability to mill specific sections, ability to re-machine uncut areas and more.



Flat End Mills

EM-250-2F-250	(1/4" Shank, 2 Flute, 1/4" Mill, 3" Overall Length)	\$24.99
EMF-125-3F-125	(1/8" Shank, 3 Flute, 1/8" Mill, 2.5" Overall Length)	\$39.99
EMF-125-3F-063	(1/8" Shank, 3 Flute, 1/16" Mill, 2.5" Overall Length)	\$39.99
EMF-125-3F-031	(1/8" Shank, 3 Flute, 1/32" Mill, 2.5" Overall Length)	\$39.99
EMF-125-3F-016	(1/8" Shank, 3 Flute, 1/64" Mill, 2.5" Overall Length)	\$49.99

Solid micrograin carbide flat end mills.



Ball End Mills

BM-250-2F-250	(1/4" Shank, 2 Flute, 1/4" Mill, 3" Overall Length)	\$49.99
EMB-125-3F-125	(1/8" Shank, 3 Flute, 1/8" Mill, 2.5" Overall Length)	\$44.99
EMB-125-3F-063	(1/8" Shank, 3 Flute, 1/16" Mill, 2.5" Overall Length)	\$44.99
EMB-125-3F-031	(1/8" Shank, 3 Flute, 1/32" Mill, 2.5" Overall Length)	\$44.99
EMB-125-3F-016	(1/8" Shank, 3 Flute, 1/64" Mill, 2.5" Overall Length)	\$59.99

Solid micrograin carbide ball end mills.



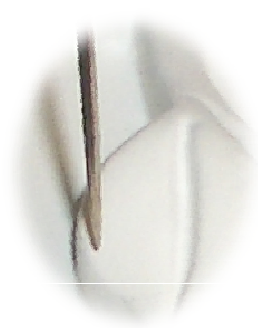
All pricing subject to change without notice.

Contact Scanner

ZSC-1 (Contact scanner, putty, Roland Software Bundle CD)

\$495

Contact scanning probe gives the MDX-40 the ability to scan objects. Software bundle includes scanning software (Dr. Picza3) and a basic scan editing software (3D Editor).

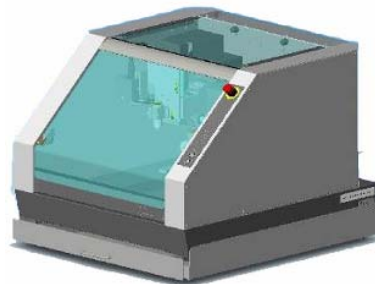


Chip Collection Tray

ZDX-40 (Box, sliding bin, and mounting hardware)

\$495

This collection bin mounts underneath the MDX-40 and makes it easy for collecting and disposing of cut chips and waste during cutting.



Diamond Scribing Tools

BT-EGX3-125 (High Precision Spring Loaded Burnishing Adaptor)

\$129.99

C2-125-DGK (Diamond Scribing Tool, 5" length, 1/8" Dia.)

\$24.00

21655108 (Top Loading 1/8" Guide Collet)

\$53.16

AS-10 (Adhesive Sheet Hold Down System, pkg. of 10)

\$34.99

Gives you the ability to diamond scribe on a wide variety of materials including metals.



All pricing subject to change without notice.

Maintenance

21675102 (FLOIL G-902Y, Grease for X,Y,Z Guide Shafts)

\$73.80

Recommended every 1000 hours of use. Please check www.rolandasd.com for usage.



Replacement Spindle

ZS-40 (Spindle Unit, Includes Spindle Belt)

\$330

Recommend replacement after 2000 hours of use. Easy to replace.



Extended Warranty

Additional 1 Year Warranty Coverage (Two Years Coverage)

\$1,100

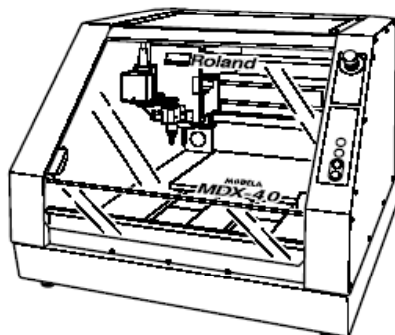
Additional 2 Years Warranty Coverage (Three Years Coverage)

\$2,200

Additional 3 Years Warranty Coverage (Four Years Coverage)

\$3,300

The MDX-40 includes a one year factory warranty that covers parts, labor and shipping one way. An extended warranty will increase the coverage period by the amounts designated.



All pricing subject to change without notice.