

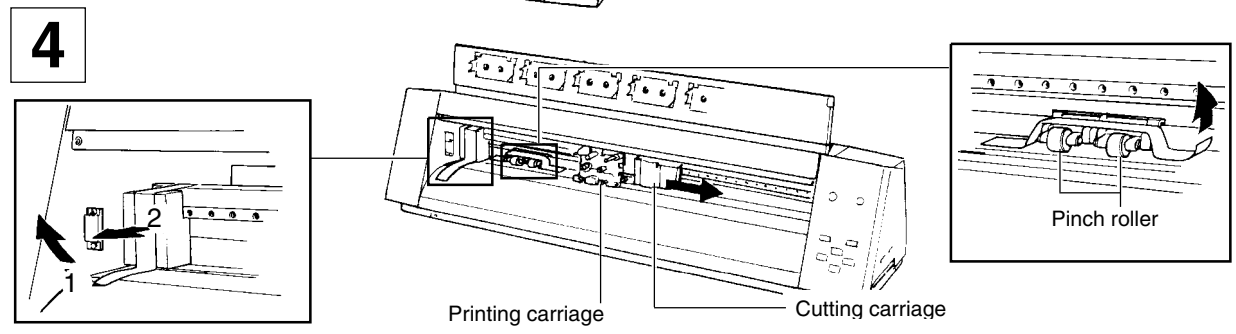
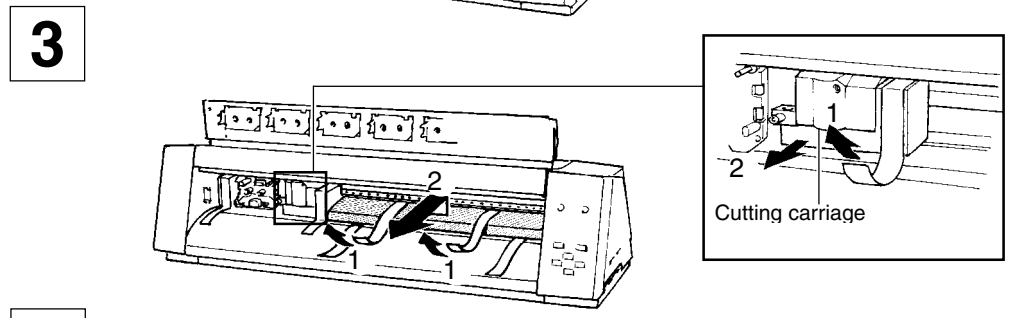
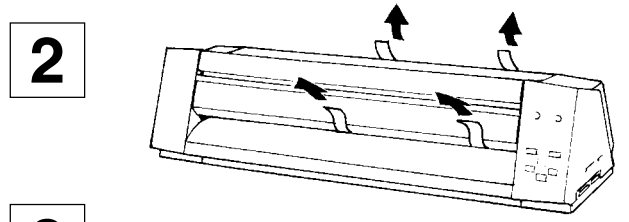
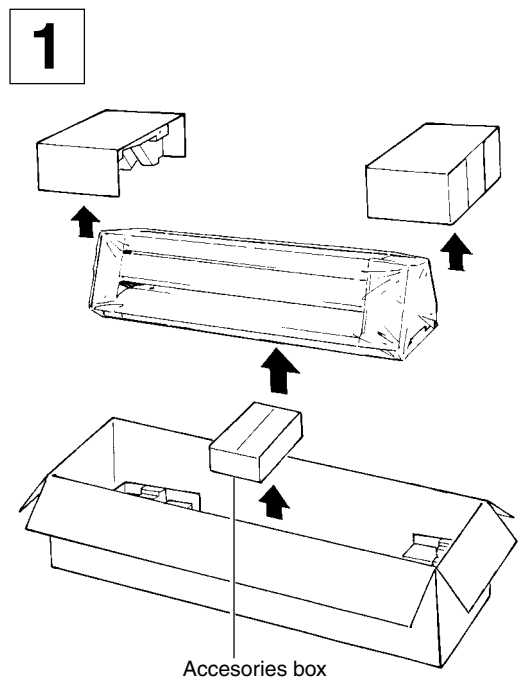
PC-60 Roland

Unpacking and Repacking

⚠ CAUTION
 Two or more people are needed to take the PC-60 out of the carton.

The packings will be needed if you must repackage the product. Please do not throw them away.

*** How to Unpack the PC-60**



*** How to Repack the PC-60**
 Repack the PC-60 in the reverse order of this procedure.