

# LPX-250

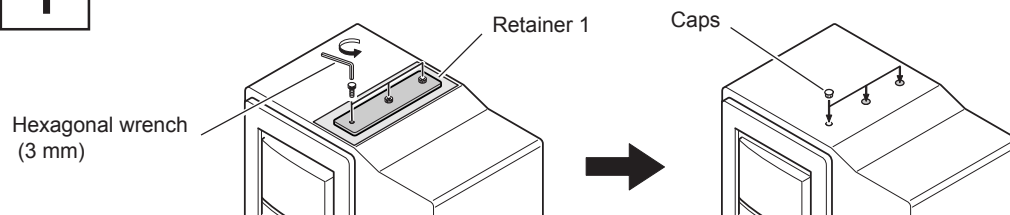
 Roland



## BE SURE TO REMOVE THE HEAD RETAINERS BEFORE USE.

Using the included hexagonal wrench, detach the retainers.

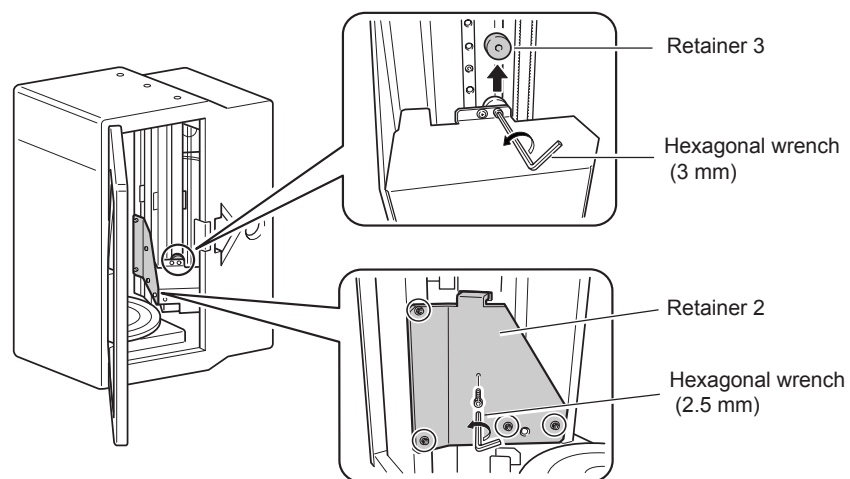
**1**



hexagonal wrench (3 mm) 1. Use the hexagonal wrench (3 mm) to remove the three screws, then detach head retainer 1.

2. Attach the three included caps.

**2**



1. Use the hexagonal wrench (2.5 mm) to remove the five screws, then detach head retainer 2.

2. Use the hexagonal wrench (3 mm) to remove one screw, then pull head retainer 3 up and out to extract it. Take care not to drop the retainer when extracting it.