

## Roland Authorized Accessories

Effective 07/06/09

### Desktop Milling Machine

MDX-40A	(CNC milling machine 12.0" x 12.0" x 4.1", 305mm x 305mm x 105mm)	<b>\$7,995</b>
---------	---	----------------

Compact easy to use milling machine with bundled CAM software.



### Rotary Axis Unit

ZCL-40A	(Rotary 4th Axis, 10.6" x 4.7" Dia., 270mm x 120mm Dia.)	<b>\$3,595</b>
---------	--	----------------

Rotary axis unit facilitates 360 degree and multiple-surface cuts.



*All pricing subject to change without notice.*

**Roland DGA Corp / 15363 Barranca Parkway / Irvine, CA 92618 / (800)542-2307**  
**www.rolanddgastore.com / Certified ISO 9001:2000**

## Roland Authorized Accessories

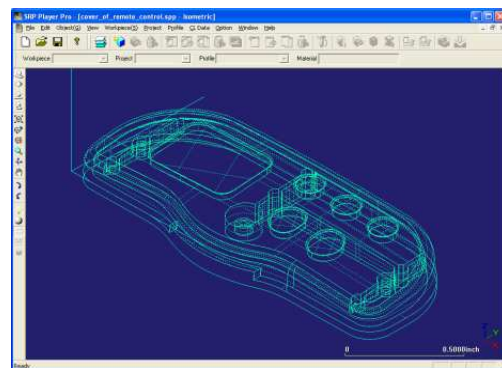
Effective 07/06/09

### Software

SRP-Player-Pro (Advanced CAM Software)

**\$4,500**

Advanced CAM software offers ease of use, surface data programming for smooth surface finish, polygon smoothing, advanced editing capabilities, low tool load capability, advanced support creation, ability to mill specific sections, ability to re-machine uncut areas and more.



### Replacement Collets for MDX-40 Milling Machine

ZC-23-3175	(Bottom Load 1/8" Collet, Inc. w/ MDX-40)	<b>\$34.99</b>
ZC-23-635	(Bottom Load 1/4" Collet)	<b>\$34.99</b>
ZC-23-6	(Bottom Load 6mm Collet, Inc. w/ MDX-40)	<b>\$38.99</b>
ZC-23-3	(Bottom Load 3mm Collet)	<b>\$38.99</b>
ZC-E436	(Engraving Collet)	<b>\$29.99</b>

Collets hold tools firmly in machines spindle. MDX-40 comes with 1/8" collet.



*All pricing subject to change without notice.*

**Roland DGA Corp / 15363 Barranca Parkway / Irvine, CA 92618 / (800)542-2307**  
**www.rolanddgastore.com / Certified ISO 9001:2000**

## LED Light

US-EXT-LIGHT (LED Light Bar)

**\$200**

This LED light bar plugs into your MDX-40A and does not require any additional power supply to light up the machines interior. It turns on automatically when the spindle turns on, and off when the spindle is off. Simple plug in installation.



## Flat End Mills

EM-250-2F-250	(1/4" Shank, 2 Flute, 1/4" Mill, 3" Overall Length)	<b>\$24.99</b>
EMF-125-3F-125	(1/8" Shank, 3 Flute, 1/8" Mill, 2.5" Overall Length)	<b>\$39.99</b>
EMF-125-3F-063	(1/8" Shank, 3 Flute, 1/16" Mill, 2.5" Overall Length)	<b>\$39.99</b>
EMF-125-3F-031	(1/8" Shank, 3 Flute, 1/32" Mill, 2.5" Overall Length)	<b>\$39.99</b>
EMF-125-3F-016	(1/8" Shank, 3 Flute, 1/64" Mill, 2.5" Overall Length)	<b>\$49.99</b>

Solid micrograin carbide flat end mills.



## Ball End Mills

BM-250-2F-250	(1/4" Shank, 2 Flute, 1/4" Mill, 3" Overall Length)	<b>\$49.99</b>
EMB-125-3F-125	(1/8" Shank, 3 Flute, 1/8" Mill, 2.5" Overall Length)	<b>\$44.99</b>
EMB-125-3F-063	(1/8" Shank, 3 Flute, 1/16" Mill, 2.5" Overall Length)	<b>\$44.99</b>
EMB-125-3F-031	(1/8" Shank, 3 Flute, 1/32" Mill, 2.5" Overall Length)	<b>\$44.99</b>
EMB-125-3F-016	(1/8" Shank, 3 Flute, 1/64" Mill, 2.5" Overall Length)	<b>\$59.99</b>

Solid micrograin carbide ball end mills.



*All pricing subject to change without notice.*

## Contact Scanner

ZSC-1 (Contact scanner, putty, Roland Software Bundle CD)

**\$495**

Contact scanning probe gives the MDX-40 the ability to scan objects. Software bundle includes scanning software (Dr. Picza3) and a basic scan editing software (3D Editor).



## Chip Collection Bin

ZDX-40 (Box, sliding bin, and mounting hardware)

**\$495**

This collection bin mounts underneath the MDX-40 and makes it easy for collecting and disposing of cut chips and waste during cutting.



## Diamond Scribing Tools

BT-EGX3-125	(High Precision Spring Loaded Burnishing Adaptor)	<b>\$129.99</b>
C2-125-DGK	(Diamond Scribing Tool, 5" length, 1/8" Dia.)	<b>\$24.00</b>
21655108	(Top Loading 1/8" Guide Collet)	<b>\$53.16</b>
AS-10	(Adhesive Sheet Hold Down System, pkg. of 10)	<b>\$34.99</b>

Gives you the ability to diamond scribe on a wide variety of materials including metals.



*All pricing subject to change without notice.*

## Maintenance

21675102 (FLOIL G-902Y, Grease for X,Y,Z Guide Shafts)

**\$73.80**

Recommended every 1000 hours of use. Please check [www.rolanddga.com](http://www.rolanddga.com) for usage.



## Replacement Spindle

ZS-40 (Spindle Unit, Includes Spindle Belt)

**\$330**

Recommend replacement after 2000 hours of use. Easy to replace.



## Extended Warranty

Additional 1 Year Warranty Coverage (Two Years Coverage)

**\$1,100**

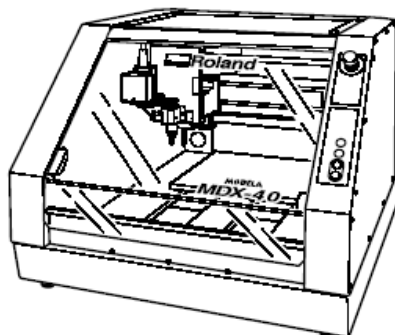
Additional 2 Years Warranty Coverage (Three Years Coverage)

**\$2,200**

Additional 3 Years Warranty Coverage (Four Years Coverage)

**\$3,300**

The MDX-40A includes a one year factory warranty that covers parts, labor and shipping one way. An extended warranty will increase the coverage period by the amounts designated.



*All pricing subject to change without notice.*