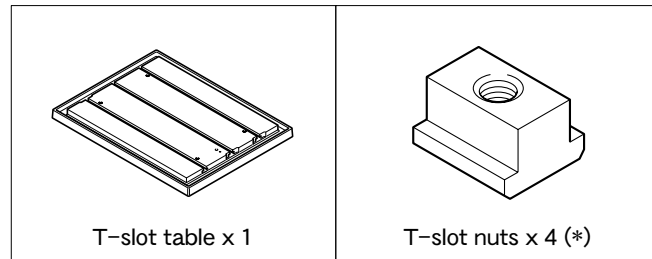


This is a T-slot table for the MODELA Pro II MDX-540.

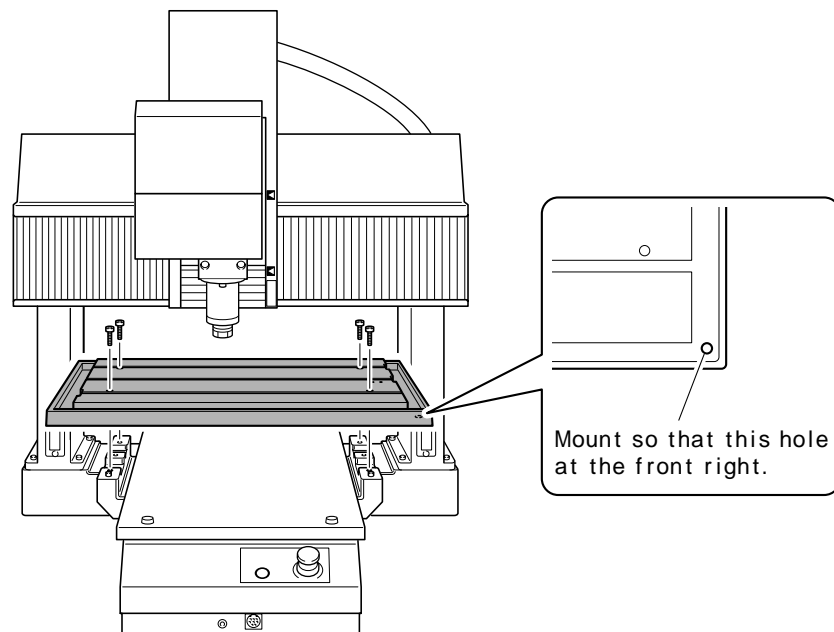
## Included Items



Note: These T-slot nuts are for mounting on an ATC unit.

## Installation Procedure

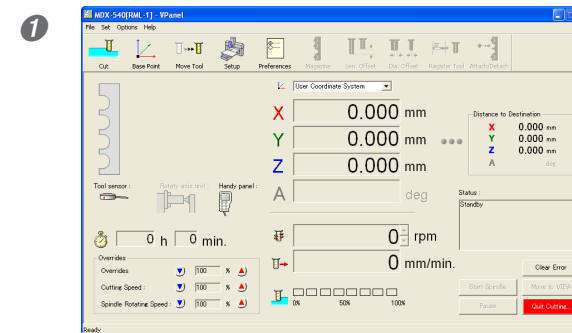
**CAUTION** Be sure to perform installation or replacement with the power cord disconnected. Failure to do so may lead to danger of entanglement in the machine resulting in injury.



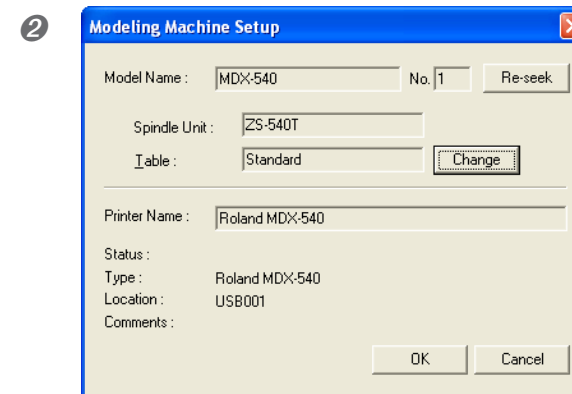
- 1 Remove the four cap screws and detach the standard table.
- 2 Mount the T-slot table oriented as shown in the figure, and secure it in place with the four cap screws.

## Making the Setting for the Table Type

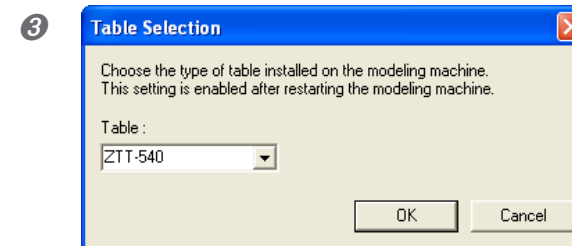
After installing the table, use VPanel to make the setting for the table type.



In VPanel, go to the [File] menu and click [Machine Setup].



Click the [Change] button.



Select [ZTT-540,] then click [OK].

